

ASEPTIQUIK® G SERIES CONNECTORS

Specifications ● ● ●

PRESSURE:

Up to 60 psi, 4.1 bar
Up to 75 psi, 5.1 bar for 48 hours

TEMPERATURE:

34°F to 104°F (1°C to 40°C)

STERILIZATION:

Gamma: Up to 50kGy irradiation

Autoclave High Temp (HT) Version:
Up to 266°F (130°C) for 60 minutes

TERMINATION SIZES:

1/4", 3/8", 1/2", 3/4" ID hose barb
(6.4mm, 9.5mm, 12.7mm, 19.0mm)
and 3/4", 1-1/2" sanitary

MATERIALS:

Main Components:

Polycarbonate (white), USP Class VI, ADCF

Pull Tabs/Caps:

Polycarbonate (blue, standard version),
USP Class VI, ADCF

Polycarbonate (white, HT version),
USP Class VI, ADCF

Seals:

Silicone (clear), platinum-cured, USP Class VI, ADCF

Membrane:

Polyethylene (standard version), USP Class VI, ADCF
Hydrophobic polyethersulfone (HT version),
USP Class VI, ADCF, PTFE strip sticker



Genderless AseptiQuik® G Connectors enable quick and easy sterile connections, even in non-sterile environments. The easy-to-use genderless design simplifies system integration and minimizes the risk of operator error. The connectors' robust construction provides enhanced user confidence and reliable performance without the need for clamps, fixtures or tube welders. Biopharmaceutical manufacturers benefit from a full range of interchangeable 1/4" to 1-1/2" flow solutions with the quality and market availability they expect from the leader in single-use connection technology.

FEATURES

Genderless design

Robust construction

FLIP-CLICK-PULL

Integrated pull tab covers

CPC Click

BENEFITS

Eases integration of single-use systems with one part number for both halves

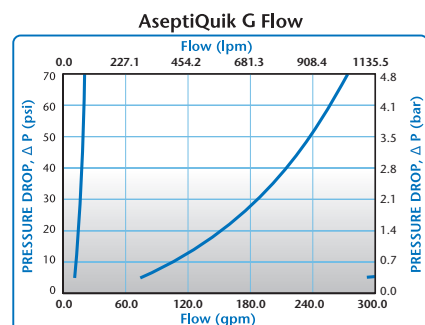
Repeatable and reliable performance with no additional hardware required

Innovative three-step connection process reduces risk of operator error

Pull tabs act as protective cover reducing part complexity and ensure simultaneous removal of both membranes

Audible confirmation of assembly

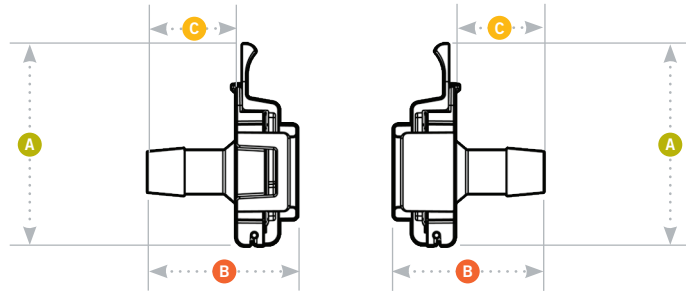
⚡ This graph is intended to give you a general idea of the performance capabilities of each product line. The shaded area of the graph represents the operating range of the product family, i.e. upper and lower values are shown. Therefore, depending on the exact coupling configurations selected, you can reasonably expect values to fall within the shaded area.



Visit us at cpcworldwide.com or call 800-519-7633 to get a free catalog or to find your local distributor.

ASEPTIQUIK® G SERIES DIMENSIONS

- A** = Height/Diameter
- B** = Total Length
- C** = Hose Barb Length



Coupling Bodies

• POLYCARBONATE with Blue Pull Tabs



TERMINATION

1/4" HOSE BARB
3/8" HOSE BARB
1/2" HOSE BARB
3/4" HOSE BARB
3/4" SANITARY
1-1/2" SANITARY

PART NO.

AQG17004
AQG17006
AQG17008
AQG17012
AQG33012
AQG33024

A

2.62
2.62
2.62
2.62
2.62
2.65

B

1.62
1.62
1.95
2.36
1.66
2.86

C

0.82
0.82
1.15
1.56
0.86
2.02

• POLYCARBONATE HT with White Pull Tabs



TERMINATION

1/4" HOSE BARB
3/8" HOSE BARB
1/2" HOSE BARB
3/4" HOSE BARB
3/4" SANITARY
1-1/2" SANITARY

PART NO.

AQG17004HT
AQG17006HT
AQG17008HT
AQG17012HT
AQG33012HT
AQG33024HT

A

2.62
2.62
2.62
2.62
2.62
2.65

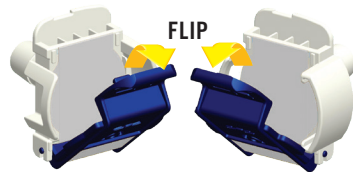
B

1.62
1.62
1.95
2.36
1.66
2.86

C

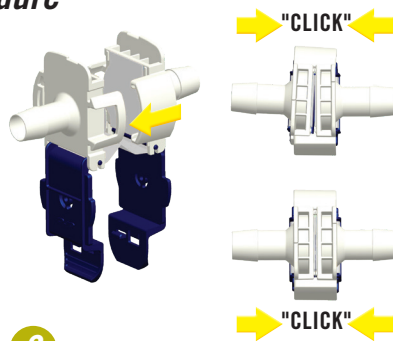
0.82
0.82
1.15
1.56
0.86
2.02

Flip-Click-Pull Assembly Procedure



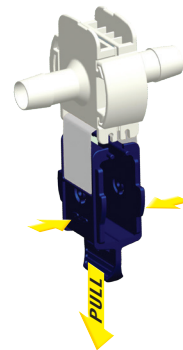
1

Unsnap and flip down the protective pull tab covers on each connector half.



2

Align the connector halves with the pull tabs hanging down. Slide the two halves together. Independently squeeze each side of the connector until you hear an audible "CPC Click."



3

To complete the connection, simply snap the pull tabs together by pushing on the CPC logos and pull the membranes from the connector.



COLDER PRODUCTS COMPANY
U.S.A.

PHONE +1 651-645-0091
FAX +1 651-645-5404
TOLL FREE 800-519-7633

COLDER PRODUCTS COMPANY GMBH
Germany

PHONE +49-6026-9973-0
FAX +49-6026-9973-173

COLDER PRODUCTS COMPANY LIMITED
Hong Kong S.A.R. of China

PHONE +852-2987-5272
FAX +852-2987-2509

Confidence at every point of connection.

cpcworldwide.com/ContactUs

WARRANTY: All sales are subject to Colder Products Company's limited express warranty set forth in the CPC catalog. Contact your local distributor or CPC Customer Service for warranty provisions.

Warning: Due to the wide variety of possible fluid media and operating conditions, unintended consequences may result from the use of this product, all of which are beyond the control of CPC. It is the user's responsibility to carefully determine and test for compatibility for use with their application. All such risks shall be assumed by the buyer.

COPYRIGHT © 2019 BY COLDER PRODUCTS COMPANY. COLDER PRODUCTS COMPANY, COLDER PRODUCTS AND CPC ARE REGISTERED TRADEMARKS WITH THE US PATENT & TRADEMARK OFFICE.

SPEC1032 8/19 FI/3000 PRINTED IN THE U.S.A.