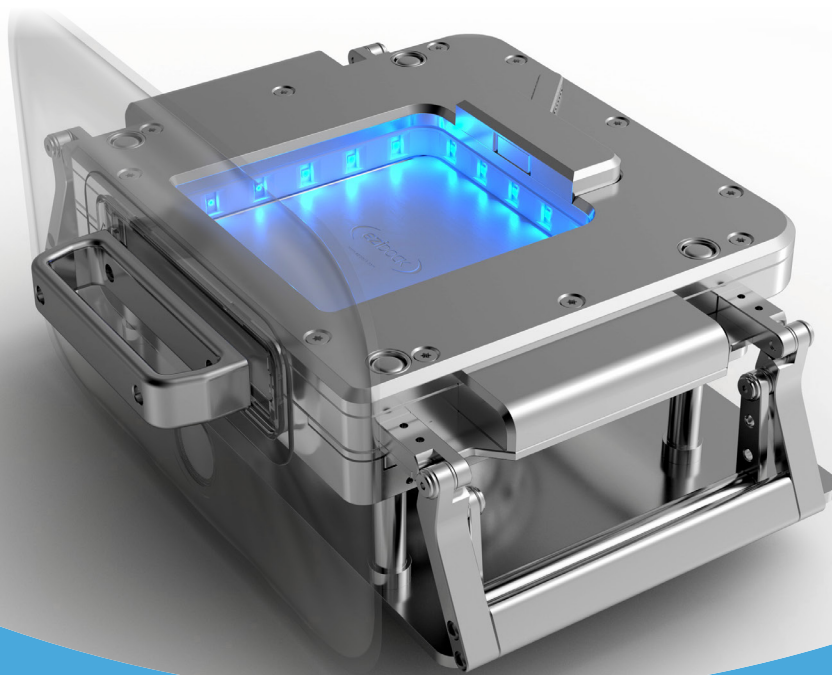


NEW FROM EZI-DOCK SYSTEMS

EZIFLOW™

UV-C

Ground-Breaking Technology for UV-C Aseptic Transfer



SIMPLE TO USE

Logical process with minimal training needed



FAST

Sterilise to log 6 within minutes



FULL BORE TRANSFER

No product hangup



SAFE

Uses proven UV-C technology – not VHP



COST EFFECTIVE

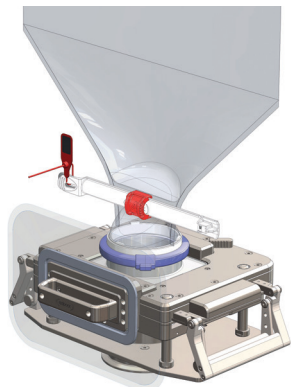
Low cost, single use flexible transfer chargebags

See the Light

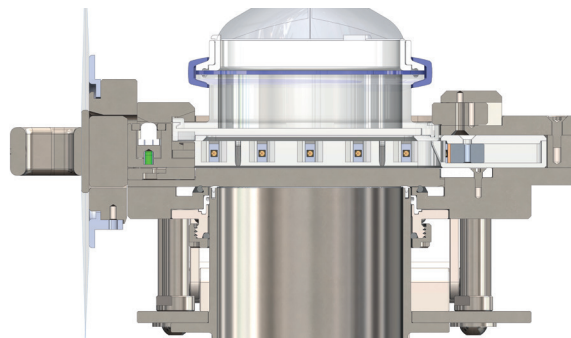


www.ezidock.com

1. ENGAGE CHARGEBAG

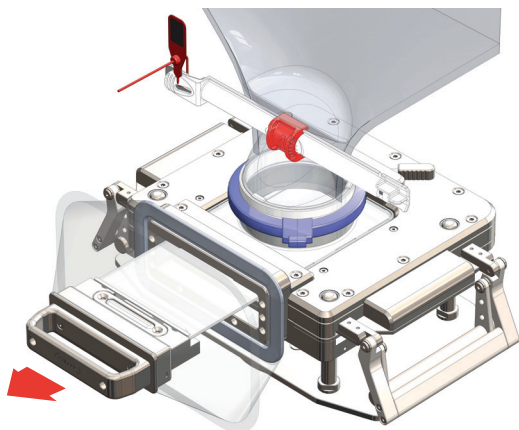


2. CLEANSE CYCLE #1

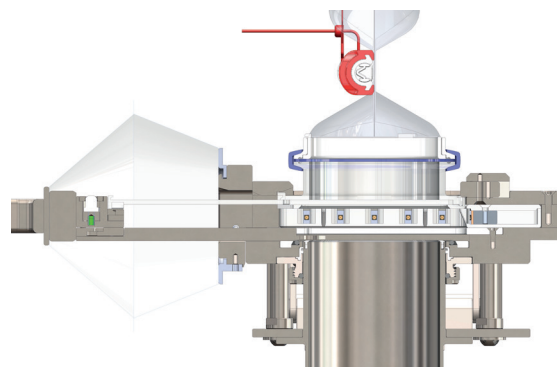


Underside of the passive and upper face of the active slider exposed to UV-C light

3. OPEN SLIDER

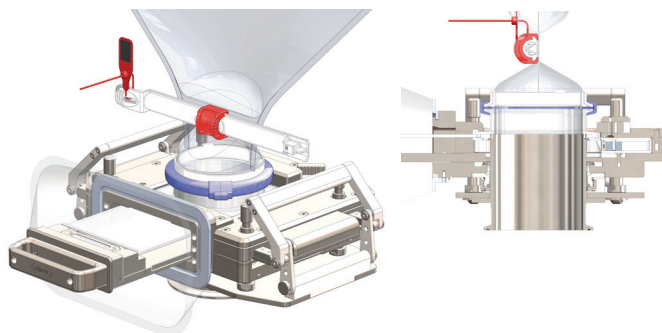


4. CLEANSE CYCLE #2



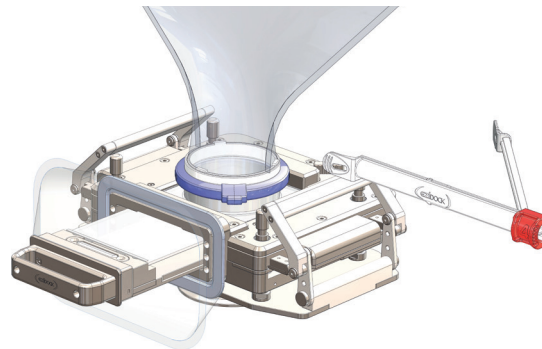
Contact surfaces of the passive and active system exposed to UV-C light

5. OPERATE TOGGLES



Passive engages with the active spigot. System is now ready for product transfer

6. TRANSFER PRODUCT



Remove clamp / gripper at the neck of the chargebag to transfer product through the system