



Mixed4Sure™ Bottom Mount Pro – M4SB Pro



Mixed4Sure™ Bottom Mount Pro is an aseptic, closed-system mixing platform that offers low shear and vigorous mixing. Available in several volumes and custom configurations, enabling it to be used in a variety of mixing steps. The M4SB Pro integrates a Heating/Cooling Finger and pH and conductivity sensors.

- Performance extensively verified
- Detailed E&L according to BPSA guidelines
- Cap2V8® closure integrated
- Single-use sensor integration
- Heating/cooling capability

Features

Benefits

4-Blade Bottom-Mounted Impeller

- Extremely low minimum mixing volume: 2–10% (depending on bottle volume)
- Able to efficiently mix viscous solutions: ≤ 500 cps
- Excellent performance in liquid and powder mixing scenarios: <42 sec for 20 mg/ml NaCl
- Powerful mixing: for powder–liquid and viscous solutions
- Low shear mixing: protein degradation minimized

Cap2V8® Integration

- One-piece molded cap design with continuous flow path
- Last Drop™ rigid dip tube ensuring >99.9% product recovery (worst case)

Temperature Control

Heating/Cooling Finger can be added to allow heating and cooling of your process solution

Sensor Integration

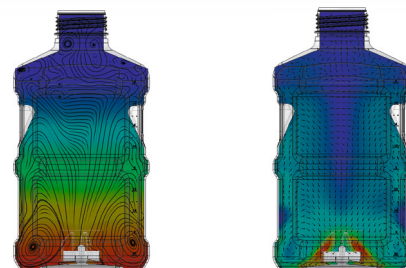
High-accuracy sensors for temperature, pH, and conductivity

PharmaTainer™

- Available in PC or PET depending on application needs
- Cubical geometry enhances product turnover, further optimizing mixing kinetics
- Suitable for freeze and thaw processes (-52 °C)

Computational Fluid Dynamics (CFD)

CFD is a technique that enables simulation of fluid motion in a system. SaniSure® has used this method to provide an indication of mixing performance of the Mixed4Sure™ Bottom Mount. In one experiment this analysis demonstrated that the shear stresses created in M4SB did not exceed 10^3 s⁻¹ and are significantly below the threshold required for protein degradation (10^7 – 10^8 s⁻¹).



sanisure.com



Mixed4Sure™ Bottom Mount Pro – M4SB Pro

Materials

- PharmaTainer™: Polycarbonate (PC) or Polyethylene Terephthalate (PET)
- Cap2V8®: Polypropylene (PP)
- Last Drop™ dip tube: Polypropylene (PP)
- Impeller: PEEK & Polyphenylsulfone (PPSU)
- Powder Funnel Port: Polycarbonate (PC)
- pH sensor: Glass, VMQ (Si elastomer)
- Conductivity sensor: platinum, glass/ceramic, Polypropylene (HDPE)
- Heating/Cooling Finger: Passivated 316L stainless steel (15ra)

Packaging

- Double-bagged and labelled in an ISO Class 7 cleanroom

Sterilization

- Gamma irradiated
- Sterility assurance level 10⁻⁶

Applications

- Buffer & media preparation
- Ultrafiltration/diafiltration
- Resuspension/homogenization
- Compounding

Ordering

Product Code	Description
Pro Configuration [CONFIG C]	
SS64003S	MIXED4SURE M4SB 5L PC HCF PH COND
SS64038S	MIXED4SURE M4SB 5L PET HCF PH COND
SS64008S	MIXED4SURE M4SB 10L PC HCF PH COND
SS64043S	MIXED4SURE M4SB 10L PET HCF PH COND
SS64013S	MIXED4SURE M4SB 20L PC HCF PH COND
SS64048S	MIXED4SURE M4SB 20L PET HCF PH COND
Pro Configuration with Powder Funnel Port [CONFIG D]	
SS64002S	MIXED4SURE M4SB 5L PC FP HCF PH COND
SS64037S	MIXED4SURE M4SB 5L PET FP HCF PH COND
SS64007S	MIXED4SURE M4SB 10L PC FP HCF PH COND
SS64042S	MIXED4SURE M4SB 10L PET FP HCF PH COND
SS64012S	MIXED4SURE M4SB 20L PC FP HCF PH COND
SS64047S	MIXED4SURE M4SB 20L PET FP HCF PH COND

1. Inlet

- Aseptiquik S (PC)
- CellGyn® 3/8" × 5/8" (TPE) 18"
- PP Rigid DipTube (PP)

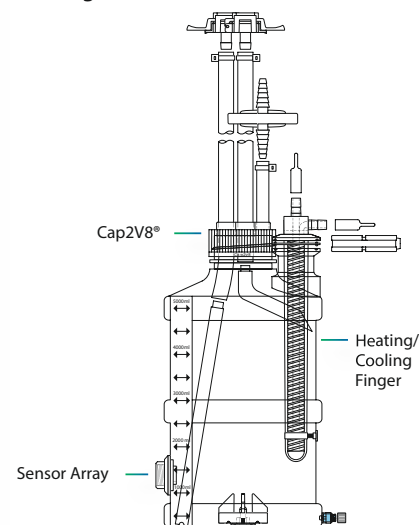
2. Outlet

- Aseptiquik S (PC)
- CellGyn® 3/8" × 5/8" (TPE) 18"
- PP Rigid DipTube (PP)

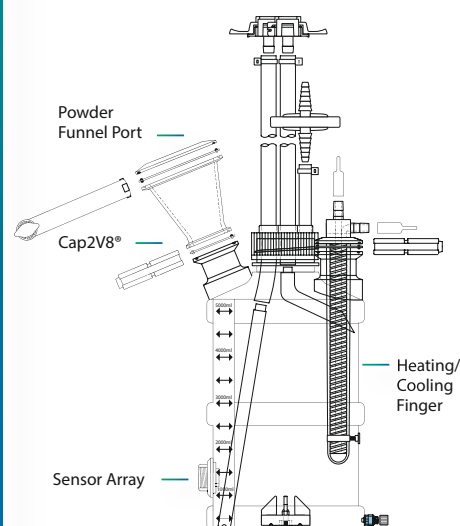
3. Vent

- Vent filter (PP)
- CellGyn® 1/4" × 1/2" (TPE) 11"

Pro Configuration



Pro Configuration with Powder Funnel Port



Americas

1020 Flynn Road
Camarillo, CA 93012
United States
+1.805.427.8418

sanisure.com

Europe & Asia

ZAE Robert Steichen 16, rue Héierchen
L4940 Bascharage
Grand Duché du Luxembourg
+352.26.33.731

