

# Clippard

## NIV SERIES MULTI-CHANNEL GRADIENT VALVES



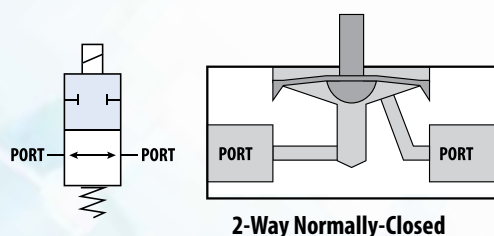
NIV series gradient valves feature multiple 2-Way, Normally-Closed solenoids connected around a central body. This unique design provides significant reduction in internal volume with enhanced mixing capabilities. Each actuator operates independently, allowing for flow of various media to be mixed or for one media to be split into multiple streams.

These gradient valves are useful for solvent selection, stream splitting, flushing, mixing, diverting, blending, indexing and other automated applications.

- PTFE diaphragm isolation valves
- Low dead volume
- Low leakage isolation design
- Compatible with corrosive and aggressive fluids
- Flow paths may be controlled individually
- Equal pressure drop, response time and internal volumes

<b>Valve Type</b>	2-Way Normally-Closed
<b>Medium</b>	Air, water, gas or corrosive fluids
<b>Temperature Range</b>	0 to 158°F
<b>Flow</b>	6 to 58 l/min @ 30 psig
<b>Operating Pressure</b>	28" Hg to 30 psig
<b>Wattage</b>	1.0 to 7.2 watts
<b>Response Time</b>	5 to 20 ms
<b>Connectors</b>	18" wire leads
<b>Voltage</b>	12 or 24 VDC
<b>Ports</b>	1/4-28 UNF or 1/8 NPS
<b>Mount</b>	#4-40 (metric available)
<b>Wetted Materials</b>	PTFE standard
<b>More Details</b>	<a href="http://clippard.com/link/nivg">clippard.com/link/nivg</a>

Contact Clippard Technical Support for customizable options and materials.



# Valves	Ports / Orifice	Flow @ 30 psig	Part No. 12 VDC	Part No. 24 VDC
2	1/4-28 UNF / 0.040"	6 l/min	NR1-2-12-G2	NR1-2-24-G2
	1/4-28 UNF / 0.062"	16 l/min	NR2-2-12-G2	NR2-2-24-G2
	1/4-28 UNF / 0.093"	38 l/min	NR3-2-12-G2	NR3-2-24-G2
	1/8 NPS / 0.156"	58 l/min	NR4-2-12-G2	NR4-2-24-G2
3	1/4-28 UNF / 0.040"	6 l/min	NR1-2-12-G3	NR1-2-24-G3
	1/4-28 UNF / 0.062"	16 l/min	NR2-2-12-G3	NR2-2-24-G3
	1/4-28 UNF / 0.093"	38 l/min	NR3-2-12-G3	NR3-2-24-G3
	1/8 NPS / 0.156"	58 l/min	NR4-2-12-G3	NR4-2-24-G3
4	1/4-28 UNF / 0.040"	6 l/min	NR1-2-12-G4	NR1-2-24-G4
	1/4-28 UNF / 0.062"	16 l/min	NR2-2-12-G4	NR2-2-24-G4
	1/4-28 UNF / 0.093"	38 l/min	NR3-2-12-G4	NR3-2-24-G4
	1/8 NPS / 0.156"	58 l/min	NR4-2-12-G4	NR4-2-24-G4
6	1/4-28 UNF / 0.040"	6 l/min	NR1-2-12-G6	NR1-2-24-G6
	1/4-28 UNF / 0.062"	16 l/min	NR2-2-12-G6	NR2-2-24-G6
	1/4-28 UNF / 0.093"	38 l/min	NR3-2-12-G6	NR3-2-24-G6
	1/8 NPS / 0.156"	58 l/min	NR4-2-12-G6	NR4-2-24-G6

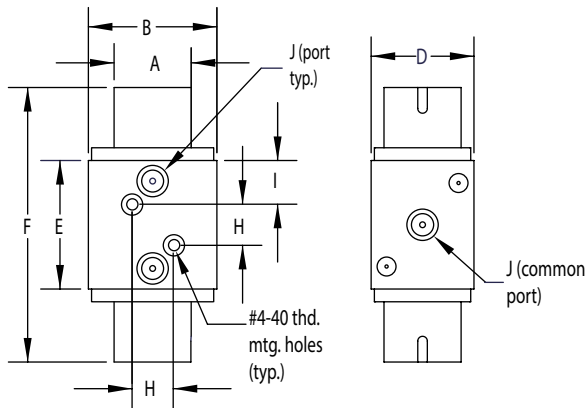


877-245-6247 | [clippard.com](http://clippard.com)

CLIPPARD INSTRUMENT LABORATORY, INC. • ISO 9001:2015 • TDS 3.19  
For warranty and disclaimer information, visit [clippard.com/warranty](http://clippard.com/warranty)

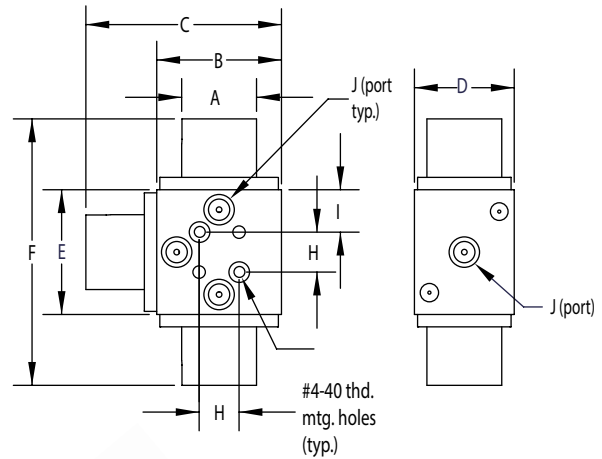
## 2-Valve Models

NRX-2-X-G2



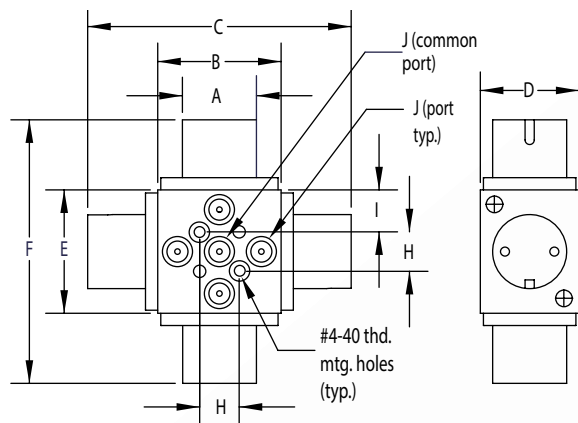
## 3-Valve Models

NRX-2-X-G3



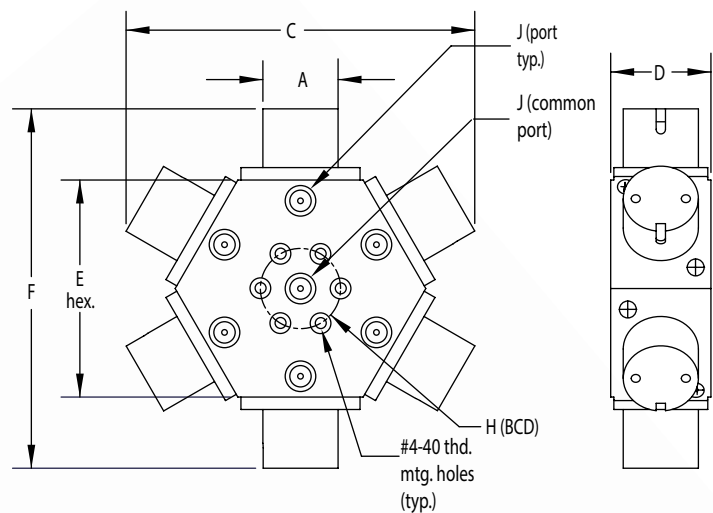
## 4-Valve Models

NRX-2-X-G4



## 6-Valve Models

NRX-2-X-G6



## DIMENSIONS

Model	A (dia)	B	C	D	E	F	H	J
NR1-2-X-G2	0.750"	1.250"	-	1.000"	1.250"	2.670"	0.400"	1/4-28 UNF
NR1-2-X-G3	0.750"	1.250"	1.960"	1.000"	1.250"	2.670"	0.400"	1/4-28 UNF
NR1-2-X-G4	0.750"	1.250"	2.670"	1.000"	1.250"	2.670"	0.400"	1/4-28 UNF
NR1-2-X-G6	0.750"	-	3.478"	1.000"	2.165"	3.585"	0.800" dia.	1/4-28 UNF
NR2-2-X-G2	1.000"	1.500"	-	1.250"	1.500"	3.362"	0.500"	1/4-28 UNF
NR2-2-X-G3	1.000"	1.500"	2.431"	1.250"	1.500"	3.362"	0.500"	1/4-28 UNF
NR2-2-X-G4	1.000"	1.500"	3.362"	1.250"	1.500"	3.362"	0.500"	1/4-28 UNF
NR2-2-X-G6	1.000"	-	4.361"	1.250"	2.598"	4.460"	1.155" dia.	1/4-28 UNF
NR3-2-X-G2	1.250"	1.750"	-	1.375"	1.750"	4.100"	0.625"	1/4-28 UNF
NR3-2-X-G3	1.250"	1.750"	2.925"	1.375"	1.750"	4.100"	0.625"	1/4-28 UNF
NR3-2-X-G4	1.250"	1.750"	4.100"	1.375"	1.750"	4.100"	0.625"	1/4-28 UNF
NR3-2-X-G6	1.250"	-	5.282"	1.375"	3.031"	5.381"	1.250" dia.	1/4-28 UNF
NR4-2-X-G2	1.500"	2.000"	-	1.625"	2.000"	4.548"	0.625"	1/8 NPS
NR4-2-X-G3	1.500"	2.000"	3.275"	1.625"	2.000"	4.548"	0.625"	1/8 NPS
NR4-2-X-G4	1.500"	2.000"	4.550"	1.625"	2.000"	4.548"	0.625"	1/8 NPS
NR4-2-X-G6	1.500"	-	5.954"	1.625"	3.464"	6.013"	1.250" dia.	1/8 NPS

877-245-6247 | [clippard.com](http://clippard.com)

CLIPPARD INSTRUMENT LABORATORY, INC. • ISO 9001:2015 • TDS 3.19

For warranty and disclaimer information, visit [clippard.com/warranty](http://clippard.com/warranty)