



**XAVITECH PRODUCT RANGE FOLDER 2022**  
MICRO PUMPS WITH MARKET LEADING LIFETIME

<b>3</b>	<b>ABOUT XAVITECH</b>
<b>4</b>	<b>APPLICATIONS</b>
<b>5</b>	<b>XAVITECH PUMP RANGE</b>
<b>7</b>	<b>BLACK EDITION PUMPS</b>
<b>19</b>	<b>ORANGE EDITION PUMPS</b>
<b>24</b>	<b>ACCESSORIES</b>
<b>26</b>	<b>LIQUID APPLICATIONS / PROTOTYPES</b>

## ABOUT

From a small company in the middle of Sweden, comes the highest quality pumps the market has to offer. Fifteen years ago, our founder got an excellent idea. He was working with capnography machines, but the micro pumps used in the machines were too low quality and continuously broke. With Xavitech this would forever change. Today, we sell our pumps all over the world – and are even represented in space. Xavitech delivered pumps to NASA and the pumps are installed in a project on ISS. At Xavitech we continuously develop and strengthen our own technology, while simultaneously working to help our customers design optimal systems. Our expertise in electronics and software, as well as mechanical engineering, makes our team strong and well suited to guide you to the best solution. We strive to ensure that our customers will be totally satisfied with our technology and service, from the selection of a pump model to system integration.

## AN INTELLIGENT PUMP

The Black edition pumps have a built-in memory. This makes it possible to program the pumps to a specific flow or vacuum. Apart from other pumps on the market Xavitech pumps requires no extra equipment to control the flow. Select between 3 or 5 wire connection. The 3 wire connection allows for custom calibration, analog control and a lifetime of +35 000 hours.

With the 5 wire connection (or flex connection) you get serial control, analog control, a lifetime of +35 000 hours and the option of custom firmware. See the product range and more specifications on page 5.

## DID YOU KNOW

That the operating cost for our V200 is as low as 0,4\* cent per operating hour or lower, depending on the purchased quantity? – That is one of the most cost-effective micro pumps world wide!

\*When buying 100 pumps with a +35 000 hour lifetime (3-year warranty)

## WHAT WE OFFER

Xavitech is here for the customer who wants great flexibility, high quality and a market leading lifetime. Our Black edition pumps are unique on the market in offering such great flexibility and quality.

Do you want a high-quality pump with a lower price and a lifetime of up to 5 000 hours? We have that too. The original Orange edition pumps offer a high-quality pump that is more reliable than other short-term pumps on the market. See the product range and more specifications on page 5.

## XAVITECH TEAM

Not only the pumps themselves are one-of-a-kind but the highly professional Xavitech team will make sure that we do everything we can to meet your needs.



---

## FOLLOW XAVITECH ONLINE

Find us online, @xavitechab on Instagram, Facebook, YouTube and LinkedIn. And don't forget our website [www.xavitech.com](http://www.xavitech.com).



## MEDICAL APPLICATIONS

### INCUBATOR

Incubator for embryos in Lithuania.

### CELL CULTURE

The V200 is used for cellculture growth in Germany and USA.

### LAB/HEALTCARE

V200 is used in a LAB in the USA for gas analysis of CO<sub>2</sub> and O<sub>2</sub>.

### METABOLIC CART

CO<sub>2</sub> and O<sub>2</sub> analysis in the USA.

### CAPNOGRAPHY

Used in capnography devices for monitoring CO<sub>2</sub> in respiratory gases. For example during anesthesia and intensive care.

### ALCOHOL MONITORING

In the USA the V200 is used in an alcolock device.

### HISTOLOGY

The V200 is used in an automated medical device for picking and moving glass coverslips.



## INDUSTRIAL APPLICATIONS

### FOOD PACKAGES

Oxygen CO<sub>2</sub> analysis in the USA.

### LASER SYSTEM

The V200 is used in a system in Slovenia.

### SURFACE ANALYZER

The P200 is used in Germany for surface analyzer in automobile coating.

### OXYGEN ANALYZER

In the UK the V1500 is used for O<sub>2</sub> concentration monitoring in PCB assembly machines.

### GAS MONITOR

The V200 is used to detect and analyze CO<sub>2</sub> and O<sub>2</sub> in the USA.

### PORTABLE OXYGEN CONCENTRATORS

In the USA the V200 is used to verify the correct oxygen concentration.

### ISOTOPE MEASUREMENTS

In the Netherlands the V200 is used in a setup for methane stable isotope measurements.

### AIR SEAL FOR NOISE REDUCTION

The P1500 is used to inflate an aircraft door seal for noise reduction in The USA



## ENVIRONMENTAL APPLICATIONS

### OZONE MONITORING

The V200 is used in ozone monitoring in New Zealand.

### FISH FARMING

Gas analysis of CO<sub>2</sub>, oxygen, total carbonate in Denmark.

### COMBUSTION ANALYSIS

The V1500 analyses CO, CO<sub>2</sub>, HC, NO, O<sub>2</sub> from truck combustion in the USA.

### WATER ANALYSIS

V1500 is used in water analysis in France and V200 is used for groundwater sampling in Denmark.

### BIO GAS ANALYZER

In the UK the V200 and V1500 is used to analyze bio gas.

### SMOG ANALYZER

Analyzing PM<sub>2.5</sub> and VOC in SMOG in China.

### FOREST FIRE SMOKE ANALYSIS

Thermophoretic particle sampler to collect biomass from forest fire smoke in Canada.

### PORTABLE AEROSOL SAMPLING

In South Korea the V200 is used in a small device for automatic aerosol sampling

Xavitech's pumps are used in systems everyday all over the world. The pumps are mainly used in three different areas: Medical, Industrial and Environmental applications

At Xavitech we have the perfect pump for you! To make it as easy as possible for you, we have divided our standard pumps into three categories depending on how much control and customizability you want. All our pumps contain our high-quality X-life™ motor and have the same standard flow performance.

## INTELLIGENT PUMP

### BLACK EDITION

- ✓ 5 WIRE CONNECTION
- ✓ FLEX CONNECTION
- ✓ +35 000H LIFETIME
- ✓ PROGRAMMABLE
- ✓ SERIAL CONTROL
- ✓ CONTROL WITH THE APP<sup>1</sup>
- ✓ ANALOG CONTROL
- ✓ VACUUM OR PRESSURE
- ✓ 5, 12 OR 24 VOLT

## ANALOG PUMP

### BLACK EDITION

- ✓ 3 WIRE CONNECTION
- ✗ FLEX CONNECTION
- ✓ +35 000H LIFETIME
- ✓ CUSTOMIZED SOFTWARE
- ✗ SERIAL CONTROL
- ✓ ANALOG CONTROL
- ✓ VACUUM OR PRESSURE
- ✓ 5, 12 OR 24 VOLT

## AFFORDABLE PUMP

### ORANGE EDITION

- ✓ 2 WIRE CONNECTION
- ✓ 5 000H LIFETIME
- ✓ VACUUM OR PRESSURE
- ✓ 5, 12 OR 24 VOLT

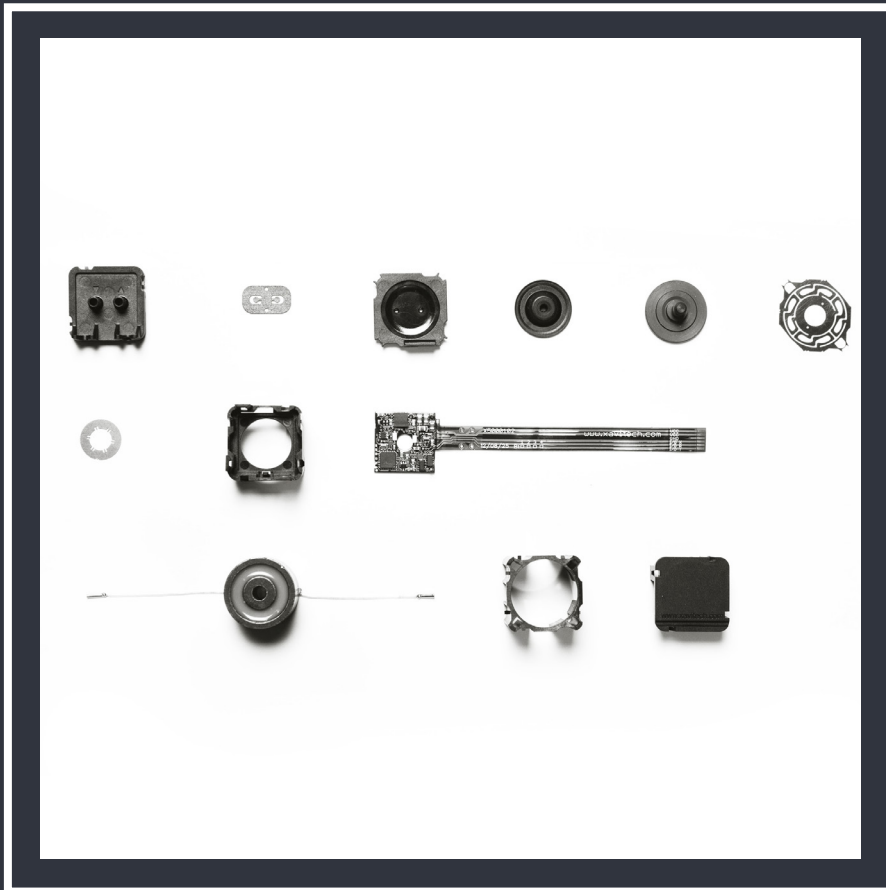
When choosing a standard Intelligent, Analog or Affordable pump, there is still a few choices to make. See chart down below for all the different configurations you can make. Custom calibration and/or firmware is also an option on the Intelligent and Analog pump, please contact us for more information.

	2 CABLES	3 CABLES	5 CABLES	FLEX CONNECTION	5V	12V	24V	10 000 - +35 000H	EPDM	VITON	KALREZ/ SIMRIS	ANALOG CONTROL	SERIAL CONTROL
V100	✗	✗	✓	✗	✓	✓	✗	✓	✓	✗	✗	✓	✓
V/P200	✓	✓	✓	✓	✓	✓	✓	✓	✓	✓	✓	✓	✓
V/P1500	✓	✓	✓	✓	✗	✓	✓	✓	✓	✓	✓	✓	✓

<sup>1</sup>Read more about our new App on page 25.

*“We do not get serial control with other micro pumps and the fact that we could eliminate the flow sensor to regulate the flow was important, says Steven Pruzia at Criticare.”*

DID YOU KNOW...



...that our pumps only consist of 12 parts. And there are no screws used to assemble the pumps. All parts snap together.

## BLACK EDITION MICRO PUMPS FROM XAVITECH

Xavitech's Black edition is our pump model with the most functionality and flexibility. Our goal is for you to be able to use this micro pump in your new system or as a drop-in replacement in your existing system easily and conveniently.

### GUARANTEED LIFETIME

- Small footprint
- Easy to install with vibration absorbing pump mountings
- Customized calibrations
- Flex cable or flying leads
- Silent mode
- Can operate on battery
- Choose the operating voltage between 3.3VDC – 24VDC

### SELECT THE LIFETIME

At Xavitech you can choose between 3 different lifetimes:

Choose between:

- |               |                   |
|---------------|-------------------|
| 10 000 hours  | (1-year warranty) |
| 20 000 hours  | (2-year warranty) |
| +35 000 hours | (3-year warranty) |

### ANALOG OR INTELLIGENT?

The Black edition pumps are divided into two categories; The Analog edition and the Intelligent edition. The analog edition comes with a 3-cable connection and allows for analog control and can be used with our AFC for easy experimenting.

The Intelligent edition has serial control and can be programmed by you. Use one of our adaptors (App, computer adaptor or FCU) for easy experimenting or use Arduino for example.

All Black edition pumps can be custom calibrated, to a set flow for example, by us at the factory.

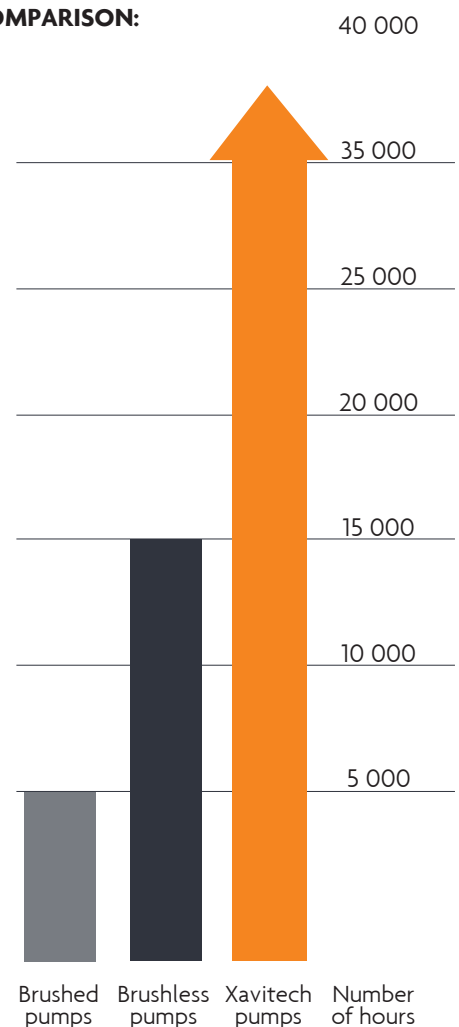
Examples of customized firmware:

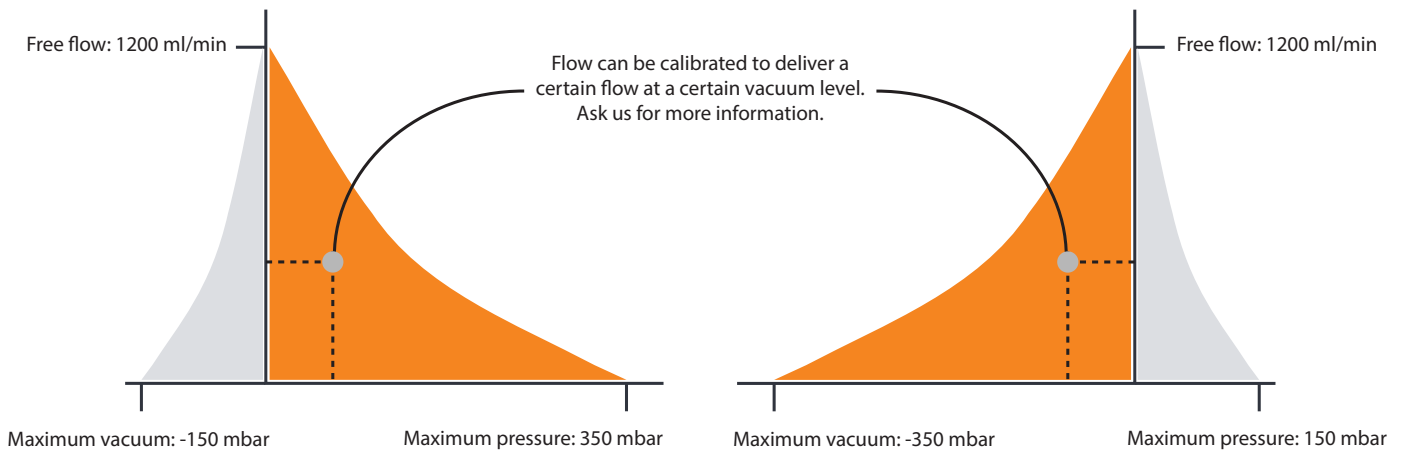
- Set the flowrate to a specific value
- Silent mode

### DID YOU KNOW

That Xavitech pumps are not powered by conventional electrical motors, but are driven by magnets? This is one of the reasons why Xavitech pumps have the longest lifetime worldwide.

### LIFETIME CHART COMPARISON:





General flow performance for Xavitech P1500 (left) and V1500 (right) pumps

### IMPORTANT NOTES

- Pump Flow: Flow is one-directional, it cannot be reversed
- Filters: To ensure lifetime, air filters should be used to prevent contaminations like dust to enter the pump
- Capacitor: Missing VCC capacitor can damage the pump on 24-volt variants. See the electronic interface section for capacitor suggestions
- Connections: Incorrect lead connection can damage the pump

### STANDARD MODELS (PART NUMBER)

Xavitech provides several pre-calibrated standard models. For these models, the voltage and the maximum flow is calibrated to standard values. When buying a standard pump, you still have a few choices you can make. Choose voltage, connection and lifetime. And if you're pumping aggressive gases you can choose Viton or Kalrez membranes. The chart below lists the standard pumps models that Xavitech can offer. But custom calibration is also an option, please contact Xavitech for more information.





# Black edition pumps

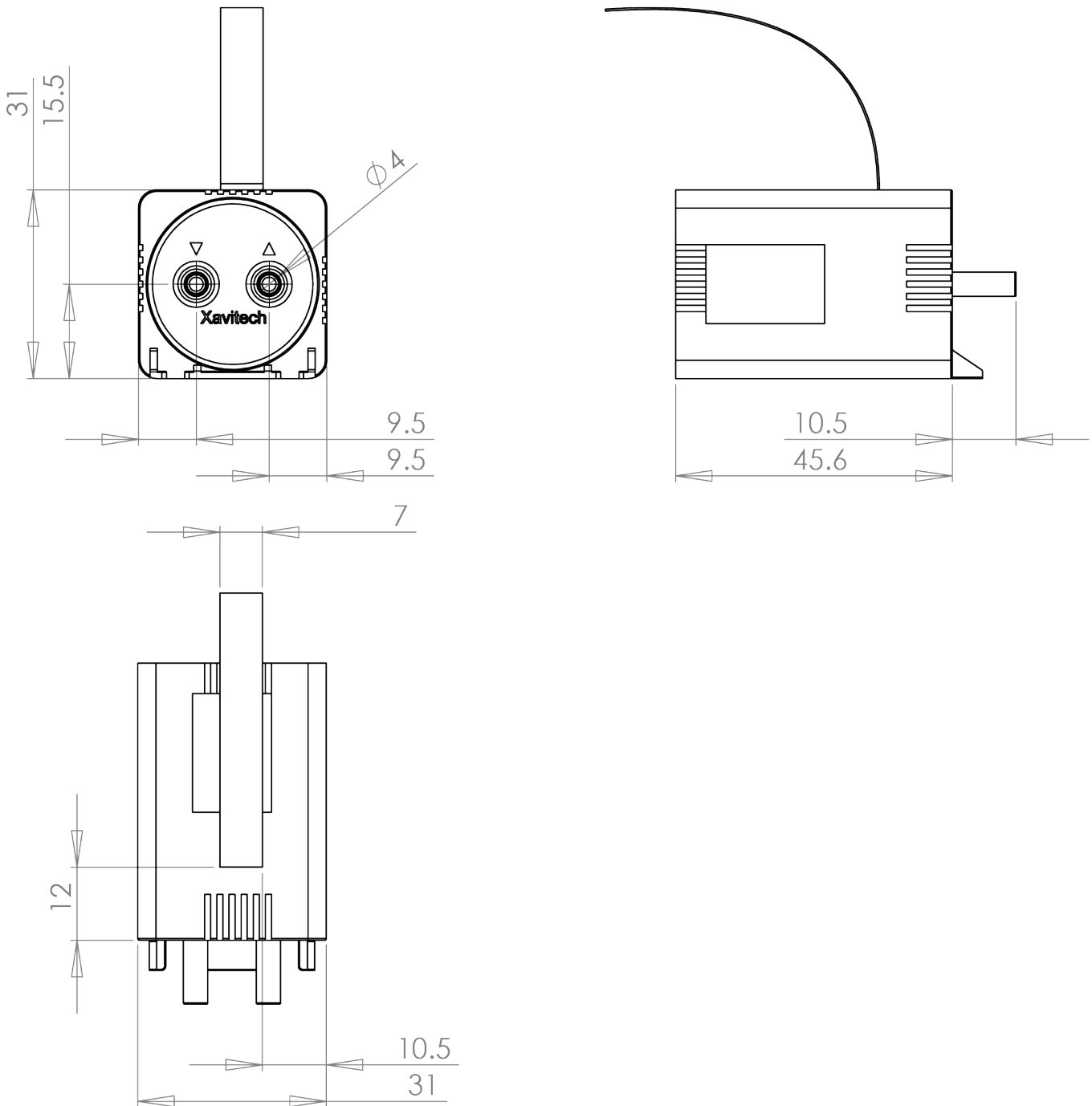
## Standard models V/P1500

PART NUMBER	VOLTAGE (V DC)	FREE FLOW (ml/min)	MAXIMUM PRESSURE/ MAXIMUM VACCUM (mbar)	CONNECTION INTERFACE	ANALOG FLOW CONTROL	SERIAL INTERFACE (RS-232)	LIFE TIME (Hours)
P1500-BF12V	12	1200	350	Flex cable	✓	✓	10 000 - +35 000
P1500-BF24V	24	1200	350	Flex cable	✓	✓	10 000 - +35 000
P1500-B5C12V	12	1200	350	5 Wires	✓	✓	10 000 - +35 000
P1500-B5C24V	24	1200	350	5 Wires	✓	✓	10 000 - +35 000
P1500-B3C12V	12	1200	350	3 Wires	✓	✗	10 000 - +35 000
P1500-B3C24V	24	1200	350	3 Wires	✓	✗	10 000 - +35 000
V1500-BF12V	12	1200	-350	Flex cable	✓	✓	10 000 - +35 000
V1500-BF24V	24	1200	-350	Flex cable	✓	✓	10 000 - +35 000
V1500-B5C12V	12	1200	-350	5 Wires	✓	✓	10 000 - +35 000
V1500-B5C24V	24	1200	-350	5 Wires	✓	✓	10 000 - +35 000
V1500-B3C12V	12	1200	-350	3 Wires	✓	✗	10 000 - +35 000
V1500-B3C24V	24	1200	-350	3 Wires	✓	✗	10 000 - +35 000

### CONTROL

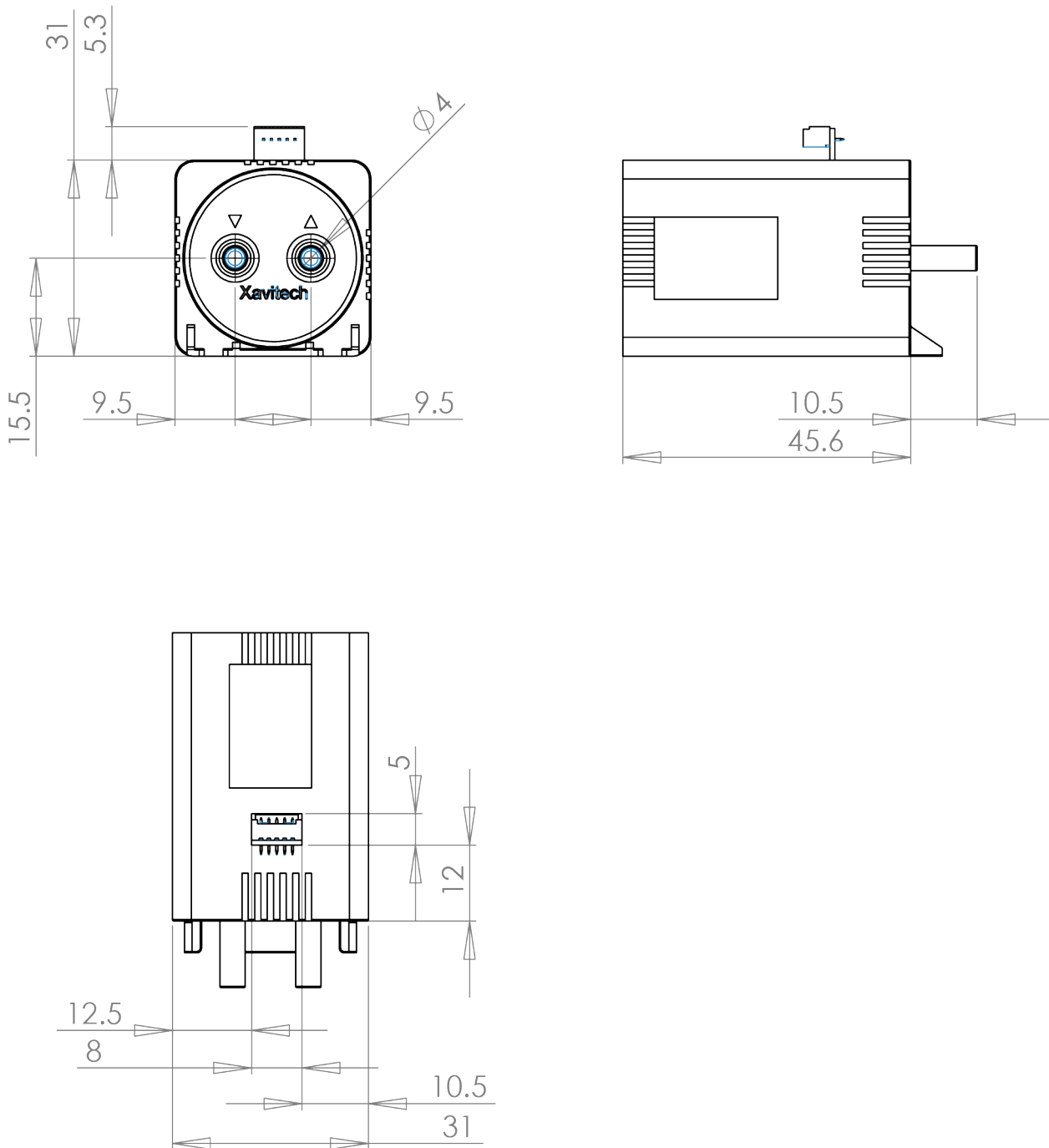
Read more about how to control the pump flow with either analog signal or with serial interface and how to choose your custom calibration point on our website [www.xavitech.com](http://www.xavitech.com).

### BLACK EDITION P1500 AND V1500 WITH FLEX CABLE

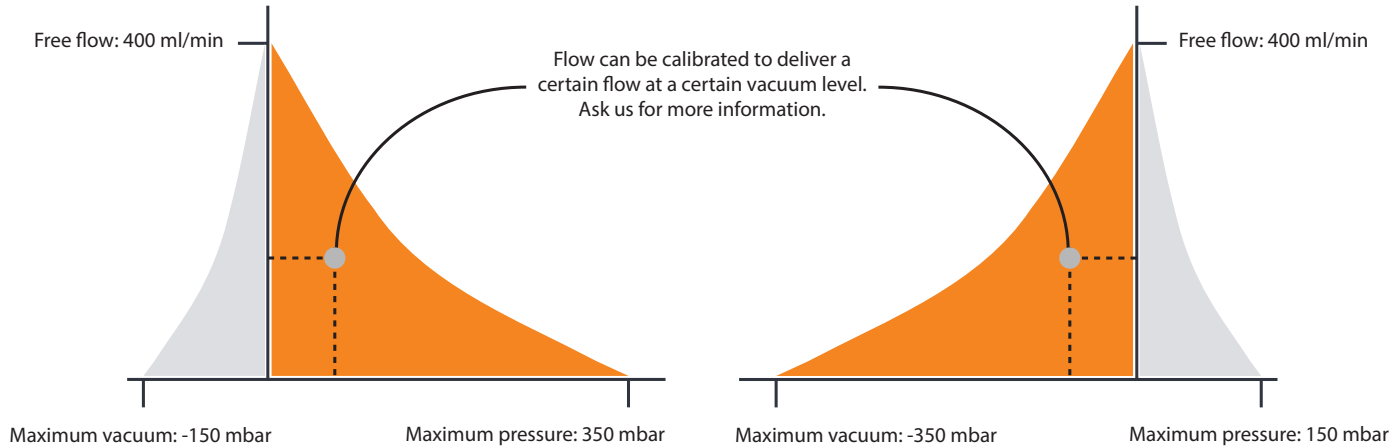


PUMP MODEL	V1500 AND P1500 BLACK EDITION
Connection	Flex cable
Drawing Scale	1:1
Dimension Tolerance	$\pm 0.5$ mm
Pump Weight	108 $\pm 2$ g
Recommended Connectors	Flex 52610 or 52271
Recommended Tube Inner Diameter	2.8 - 3.8 mm (Material dependent)

### BLACK EDITION P1500 AND V1500 WITH 3 OR 5 WIRE CONNECTION



PUMP MODEL	V1500 AND P1500 BLACK EDITION
Connection	3 or 5 wires
Drawing Scale	1:1
Dimension Tolerance	±0.5 mm
Pump Weight	108 ±2 g
Recommended Connectors	MOLEX 530470510 (Picoblade)
Recommended Tube Inner Diameter	2.8 - 3.8 mm (Material dependent)



### IMPORTANT NOTES

- Pump Flow: Flow is one-directional, it cannot be reversed
- Filters: To ensure lifetime, air filters should be used to prevent contaminations like dust to enter the pump
- Capacitor: Missing VCC capacitor can damage the pump on 24-volt variants. See the electronic interface section for capacitor suggestions
- Connections: Incorrect lead connection can damage the pump

### STANDARD MODELS (PART NUMBER)

Xavitech provides several pre-calibrated standard models. For these models, the voltage and the maximum flow is calibrated to standard values. When buying a standard pump, you still have a few choices you can make. Choose voltage, connection and lifetime. And if you're pumping aggressive gases you can choose Viton or Kalrez membranes. The chart below lists the standard pumps models that Xavitech can offer. But custom calibration is also an option, please contact Xavitech for more information.



### CONTROL

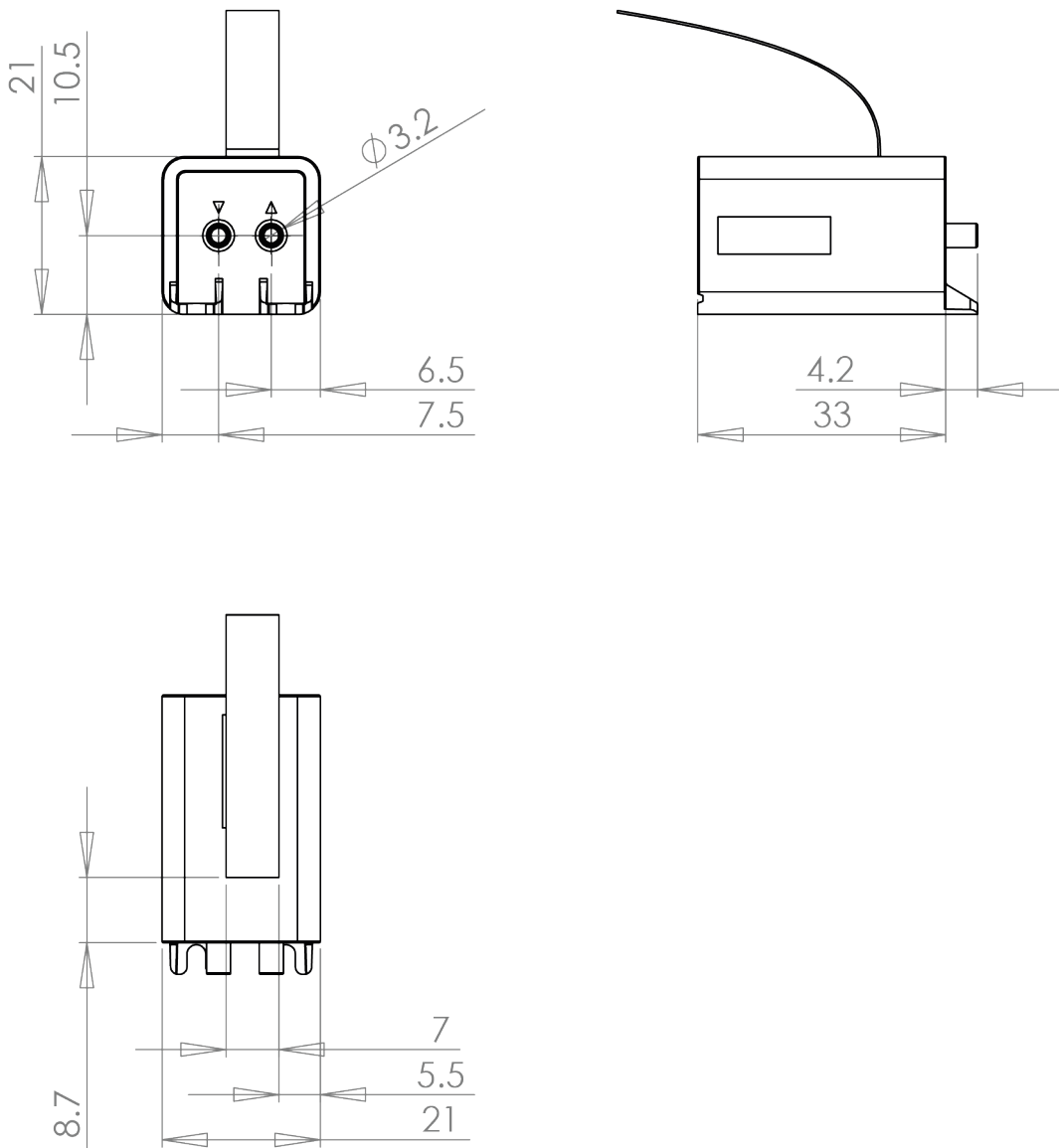
Read more about how to control the pump flow with either analog signal or with serial interface and how to choose your custom calibration point on our website [www.xavitech.com](http://www.xavitech.com).

# Black edition pumps

## Standard models V/P200

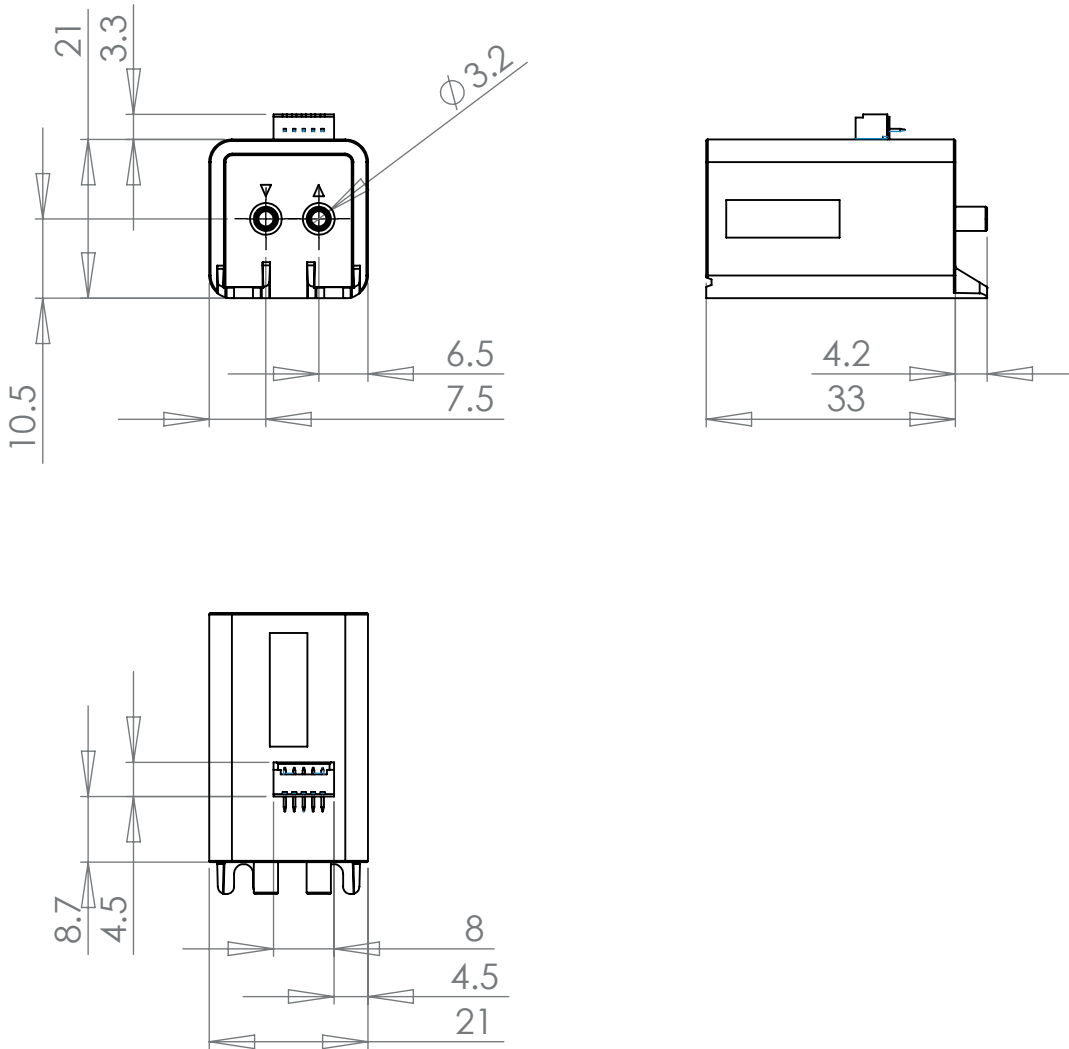
PART NUMBER	VOLTAGE (V DC)	FREE FLOW (ml/min)	MAXIMUM PRESSURE/ MAXIMUM VACCUM (mbar)	CONNECTION INTERFACE	ANALOG FLOW CONTROL	SERIAL INTERFACE (RS-232)	LIFE TIME (Hours)
P200-BF5V	5	400	300	Flex cable	✓	✓	10 000 - +35 000
P200-BF12V	12	400	350	Flex cable	✓	✓	10 000 - +35 000
P200-BF24V	24	400	350	Flex cable	✓	✓	10 000 - +35 000
P200-B5C5V	5	400	300	5 Wires	✓	✓	10 000 - +35 000
P200-B5C12V	12	400	350	5 Wires	✓	✓	10 000 - +35 000
P200-B5C24V	24	400	350	5 Wires	✓	✓	10 000 - +35 000
P200-B3C5V	5	400	300	3 Wires	✓	✗	10 000 - +35 000
P200-B3C12V	12	400	350	3 Wires	✓	✗	10 000 - +35 000
P200-B3C24V	24	400	350	3 Wires	✓	✗	10 000 - +35 000
V200-BF5V	5	400	-300	Flex cable	✓	✓	10 000 - +35 000
V200-BF12V	12	400	-350	Flex cable	✓	✓	10 000 - +35 000
V200-BF24V	24	400	-350	Flex cable	✓	✓	10 000 - +35 000
V200-B5C5V	5	400	-300	5 Wires	✓	✓	10 000 - +35 000
V200-B5C12V	12	400	-350	5 Wires	✓	✓	10 000 - +35 000
V200-B5C24V	24	400	-350	5 Wires	✓	✓	10 000 - +35 000
V200-B3C5V	5	400	-300	3 Wires	✓	✗	10 000 - +35 000
V200-B3C12V	12	400	-350	3 Wires	✓	✗	10 000 - +35 000
V200-B3C24V	24	400	-350	3 Wires	✓	✗	10 000 - +35 000

### BLACK EDITION P200 AND V200 WITH FLEX CABLE



PUMP MODEL	V200 AND P200 BLACK EDITION
Connection	Flex cable
Drawing Scale	1:1
Dimension Tolerance	±0.2 mm
Pump Weight	40 ±2 g
Recommended Connectors	Flex 52610 or 52271
Recommended Tube Inner Diameter	1.6 - 2.8 mm (Material dependent)

### BLACK EDITION P200 AND V200 WITH 3 OR 5 WIRE CONNECTION



PUMP MODEL	V200 AND P200 BLACK EDITION
Connection	3 or 5 wires
Drawing Scale	1:1
Dimension Tolerance	±0.2 mm
Pump Weight	40 ±2 g
Recommended Connectors	MOLEX 530470510 (Picoblade)
Recommended Tube Inner Diameter	1.6 - 2.8 mm (Material dependent)

### BLACK EDITION MICRO PUMPS FROM XAVITECH

Xavitech's Black edition is our pump model with the most functionality and flexibility. Our goal is for you to be able to use this micropump in your new system or as a drop-in replacement in your existing system, in an easy and convenient way.

- 20 000 hours, 2-year warranty
- Small footprint
- Customized calibration

### ADAPT THE BLACK EDITION TO YOUR REQUIREMENTS

The Black edition offers a wide variety of functions. We offer a standard Black edition pump with high quality and a great lifetime, but the Black edition pump can also be calibrated for your specific needs.

- Calibrated flow rate
- Choose operating voltage 3.3 – 12 V DC
- Custom firmware

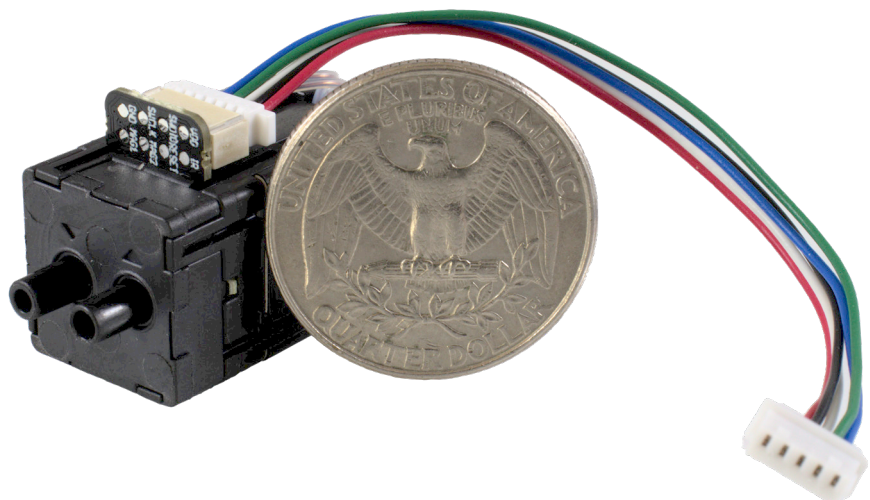
### CUSTOM CALIBRATION

The Intelligent Black edition pumps have built-in micro-controllers which makes it possible to create customized firmware for various purposes.

Examples of customized firmware:

- Set the flowrate to a specific value
- Silent mode

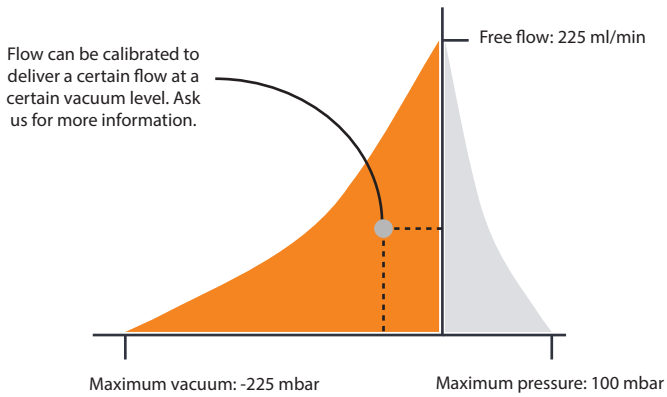
Contact us if you are wondering how the Black edition pump can best serve your system.





# Black edition pumps

## General specifications and standard models V100



### IMPORTANT NOTES

- Pump Flow: Flow is one-directional, it cannot be reversed.
- Filters: To ensure lifetime, air filters should be used to prevent contaminations like dust to enter the pump.
- Connections: Incorrect lead connection can damage the pump.

### STANDARD MODELS (PART NUMBER)

Xavitech provides several pre-calibrated standard models. For these models, the voltage and the maximum flow is calibrated to standard values. The only thing that needs to be defined before the pump can be ordered is the lifetime of the pump. The chart below lists the standard pumps models that Xavitech can offer. But custom calibration is also an option, please contact Xavitech for more information.

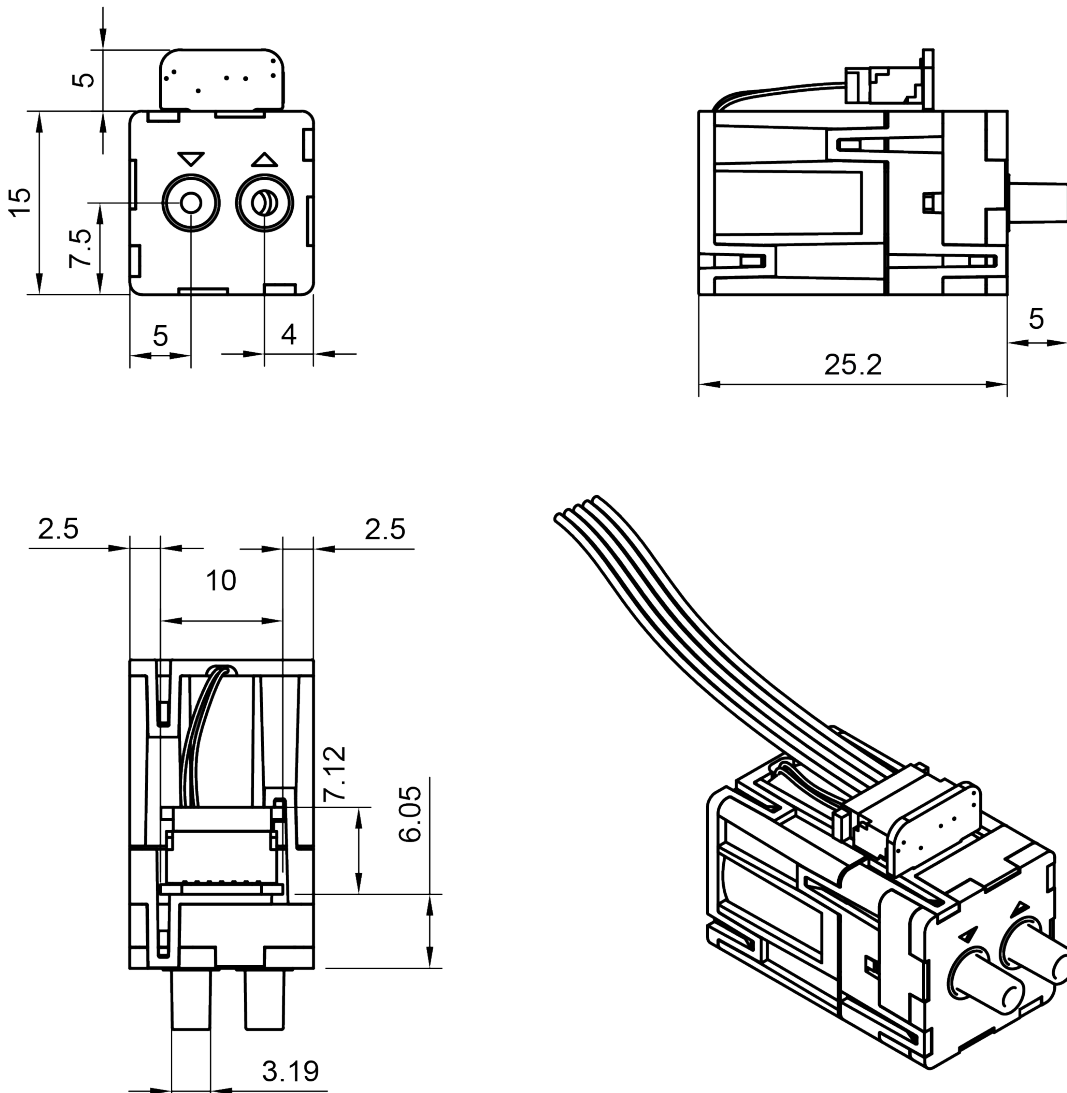
PART NUMBER	VOLTAGE (V DC)	FREE FLOW (ml/min)	MAXIMUM PRESSURE/ MAXIMUM VACCUM (mbar)	CONNECTION INTERFACE	ANALOG FLOW CONTROL	SERIAL INTERFACE (RS-232)	LIFE TIME (Hours)
-------------	----------------	--------------------	--	----------------------	---------------------	---------------------------	-------------------

V100-5V	5	225	-225	5 Wires	✓	✓	20 000
V100-12V	12	225	-225	5 Wires	✓	✓	20 000

### CONTROL

Read more about how to control the pump flow with either analog signal or with serial interface and how to choose your custom calibration point in the respective sections down below.

### BLACK EDITION V100 WITH 5 WIRE CONNECTION



PUMP MODEL	V100 BLACK EDITION
Connection	5 wires
Drawing Scale	2:1
Dimension Tolerance	±0.2 mm
Pump Weight	18 ±1 g
Recommended Connectors	MOLEX 530470510 (Picoblade)
Recommended Tube Inner Diameter	1.6 - 2.8 mm (Material dependent)

# Affordable Orange edition pumps

## **AFFORDABLE ORANGE EDITION**

The orange edition is suitable for those who need a high quality micro pump with a lifetime of 5 000 hours.

- High quality
- Affordable solution
- Guaranteed service lifetime

## **GUARANTEED LIFETIME**

With the Orange edition, you get a micro pump that is guaranteed to work for the full 5 000 hours it was designed to do, at a very good price. In this way, you do not need to pay for pumps with a longer lifetime in order to be assured that the pumps will actually work for the stated number of hours.

## **HIGH QUALITY - AFFORDABLE PRICE**

Xavitech's trademark of high quality also pervades our Orange edition pumps. Flexibility is limited in the Orange edition, which allows for such an affordable price. It is sold in a limited number of standard designs for each pumpmodel. If more flexibility is required, check out our Black edition instead.

## **DID YOU KNOW**

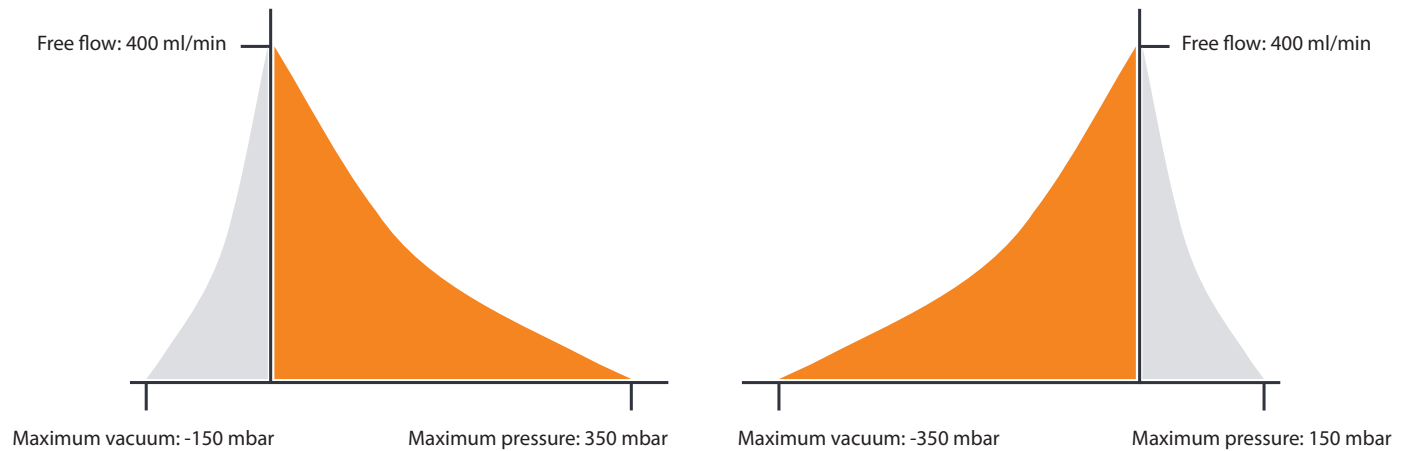
That all pumps are assembled at our facilities in Härnösand, Sweden.



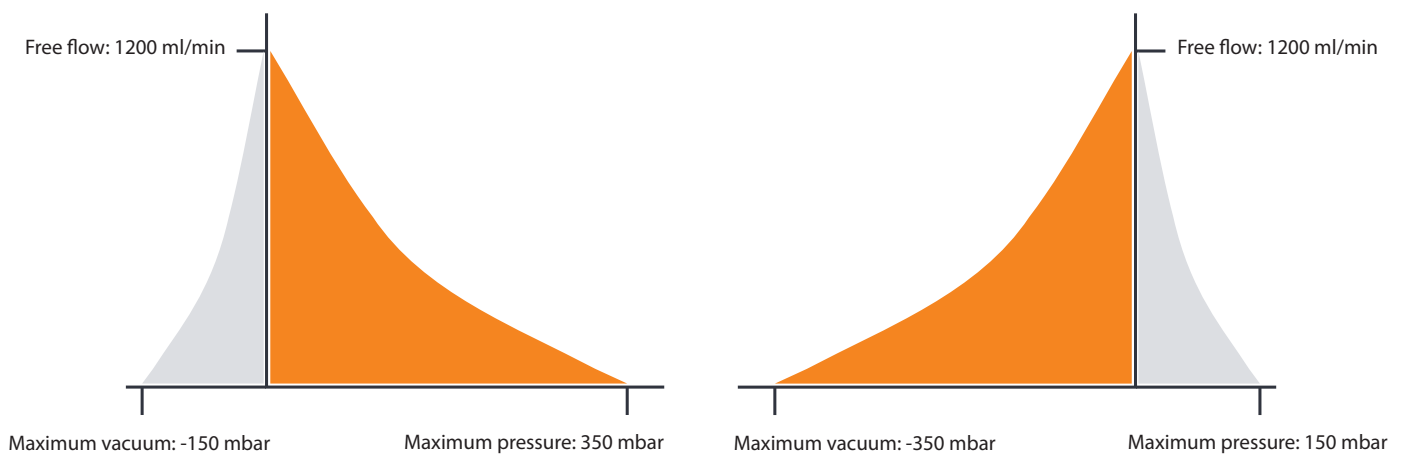
# Orange edition vacuum and pressure pumps

## General specifications

### GENERAL FLOW PERFORMANCE



General flow performance for Xavitech P200 (left) and V200 (right) pumps



General flow performance for Xavitech P1500 (left) and V1500 (right) pumps

### IMPORTANT NOTES

- Pump Flow: Flow is one-directional, it cannot be reversed
- Filters: To ensure lifetime, air filters should be used to prevent contaminations like dust to enter the pump
- Capacitor: Missing VCC capacitor can damage the pump on 24-volt variants. See the electronic interface section for capacitor suggestions
- Connections: Incorrect lead connection can damage the pump

# Orange edition vacuum and pressure pumps

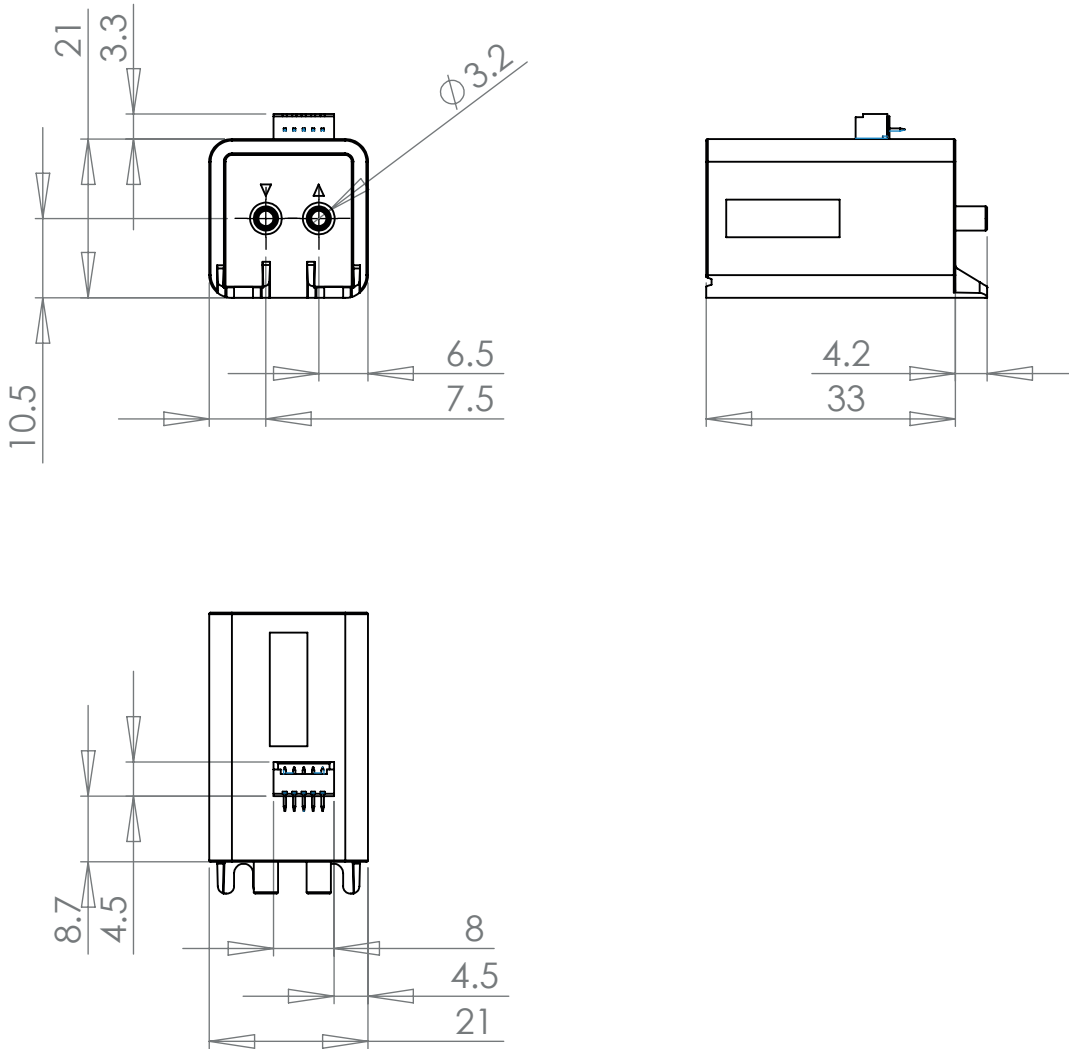
## Standard models

### STANDARD MODELS (PART NUMBER)

The Orange version is only available in fixed voltages and cannot be customized with flow calibration. The lifetime is also fixed. Choose the Black edition if you need more flexible solutions.

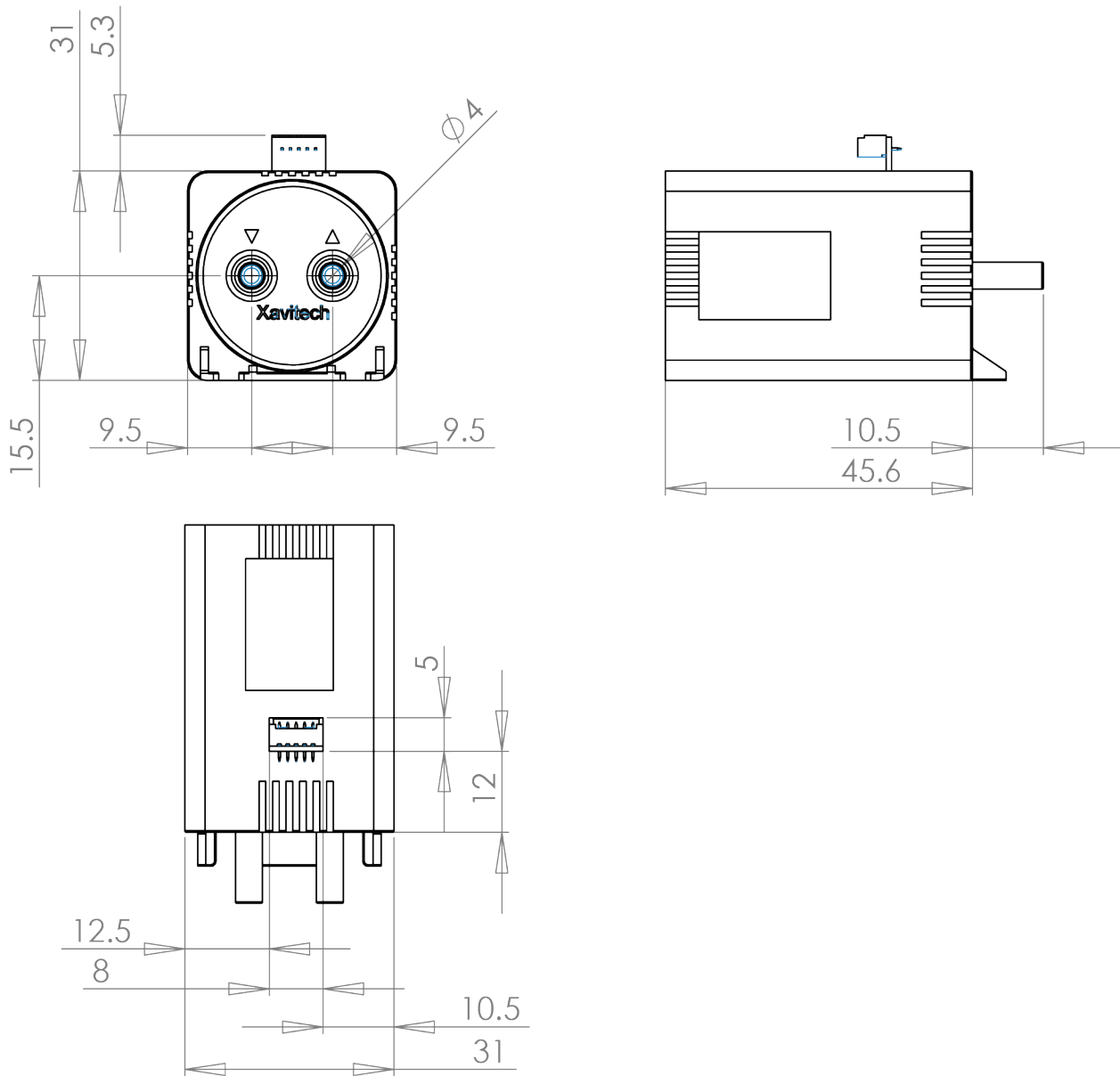
	VOLTAGE (V DC)	FREE FLOW (ml/min)	MAXIMUM PRESSURE/ MAXIMUM VACUUM (mbar)	CONNECTION	ANALOG CONTROL	SERIAL INRERFACE (RS-232)	LIFETIME
P200-O2C5V	5	400	300	2 Wires	×	×	5 000
P200-O2C12V	12	400	350	2 Wires	×	×	5 000
P1500-O2C12V	12	1200	350	2 Wires	×	×	5 000
P1500-O24V	24	1200	350	2 wires	×	×	5 000
V200-O2C5V	5	400	-300	2 Wires	×	×	5 000
V200-O2C12V	12	400	-350	2 Wires	×	×	5 000
V1500-O2C12V	12	1200	-350	2 Wires	×	×	5 000
V1500-O2C24V	24	1200	-350	2 wires	×	×	5 000

### ORANGE EDITION P200 AND V200 WITH 2 WIRE CONNECTION



PUMP MODEL	V200 AND P200 ORANGE EDITION
Connection	2 wires
Drawing Scale	1:1
Dimension Tolerance	$\pm 0.2$ mm
Pump Weight	40 $\pm$ 2 g
Recommended Connectors	MOLEX 530470510 (Picoblade)
Recommended Tube Inner Diameter	1.6 - 2.8 mm (Material dependent)

### BLACK EDITION P1500 AND V1500 WITH 2 WIRE CONNECTION



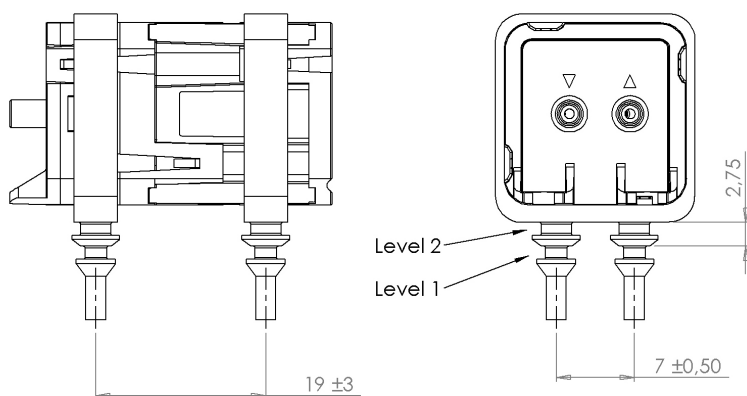
PUMP MODEL	V1500 AND P1500 ORANGE EDITION
Connection	2 wires
Drawing Scale	1:1
Dimension Tolerance	$\pm 0.5$ mm
Pump Weight	108 $\pm 2$ g
Recommended Connectors	MOLEX 530470510 (Picoblade)
Recommended Tube Inner Diameter	2.8 - 3.8 mm (Material dependent)

## PUMP HOLDER



### PUMPHOLDER FOR ALL X200 AND X1500 PUMPS

Xavitech can offer a solution that is based on moulded parts in silicon material for pull through quick mount. By press fitting two soft holders, one from each side of the pump, you get 4 soft arrow like pins underneath the pump. These pins you can pull through holes and they will expand on the other side of a PCB and thus create a lock. There are two arrows on each pin so you can mount the pump at two different levels. At level 1 the pump will be elevated 2.75mm and enables you to have electrical components underneath the pump. When pump is mounted on PCB, excessive parts of the pin underneath the PCB can be cut away.



Drill hole 4 x Ø3 mm for level 2 mounting

Drill hole 4 x Ø2mm for level 1 mounting

### Mount drawing

V/P200

(Also available for V/P1500 pumps)

### Benefits with using Xavitech's pump holder

- Absorbs vibrations
- Easy mounting on PCB or other materials
- Electronic or other components can be placed underneath
- Cost effective

## PCB ADAPTER

This small adapter is intended for use during testing and evaluation of Xavitech Black edition micro pumps. With all necessary components integrated on this small PCB the verification process could not get any easier.



## SILICONE TUBING

Get started directly with your Xavitech pump test. We offer silicone tubes with correct dimensions. Available for all Xavitech pump models.

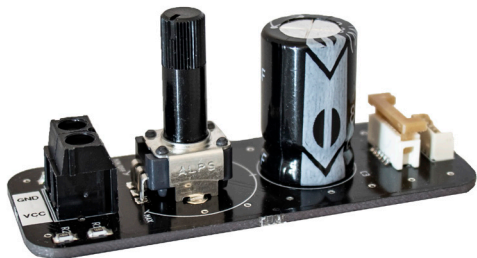


## TUBE CONNECTORS

For harder tubings or steel pipe connections with outer dimension of 4 mm we recommend to use tube connectors. Adapted to fit the 1500 models.







### **ANALOG FLOW CONTROLLER (AFC)**

This small flow controller is intended for use during testing and evaluation of the Analog Black edition micro pumps. By turning the potentiometer the user will be able to adjust pump flow rate (operating frequency) within the whole range from pump off up too max flow rate. Available for the Intelligent- and the Analog Black edition pumps.

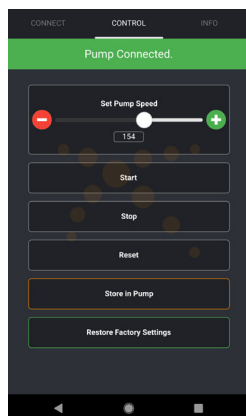
---

### **COMPUTER ADAPTER**

The Computer Adapter can be used to send serial commands to a Black Xavitech pump. The adapter connects via USB and will create a virtual com port on your computer. Please refer to the Serial Interface section in the pump datasheet for information on how to communicate with the pump. The adapter works with Linux, Windows and Mac. Connect power to VCC and GND on the screw terminal. The other connections on the screw terminal can only be used if not connected via USB.



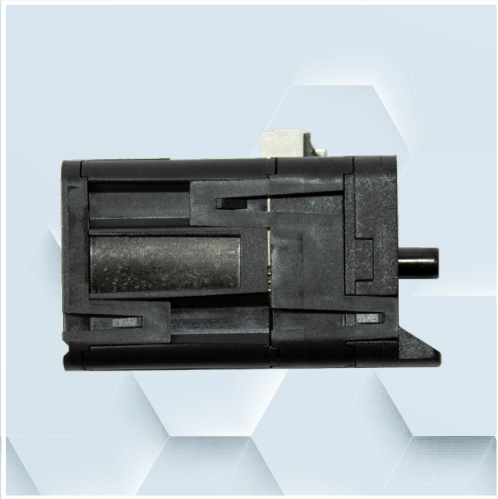
Micro USB-cable not included.



### **PUMP CONTROLLER APP + BLUETOOTH DONGLE**

Connect an Intelligent Xavitech Black edition 5-cable/flex connection pump to our bluetooth adapter and connect your android device to the pump. Experiment with different flows, store new settings and restore to original speed. Only available for the Intelligent Black edition pumps.

Requires Android 5.0 or higher.



## LIQUID APPLICATIONS

- Flow rate (Free flow): up to 100ml/min, clean water.
  - Vacuum:  $\pm 350$ mbar
  - Supply voltage: 5V DC, 12V DC & 24V DC
  - Lifetime: +35 000 hours
  - Connections: Flex cable; 5-, 3- or 2 cable connections
  - Custom calibration available
- Calibrated with clean water, contact us if you want to pump any other liquid.

## PROTOTYPE EXCHANGEABLE PUMP HEAD

- Change pump head within a few seconds
- Ideal for applications requiring service
- Cost efficient and sustainable
- Available for our V200 & P200 pumps



Contact us for more information; [www.xavitech.com/contact](http://www.xavitech.com/contact)

# DID YOU KNOW...



...that everyday Xavitech pumps are used in applications made to create a better environment. As an example, one of our clients in New Zealand uses the V200 pump to monitor ozone.

## **XAVITECH EUROPE**

Phone: +46(0)611-556100  
Fax: +46(0)611-782510  
Hours: 8am to 5pm GMT+1  
[sales\\_eu@xavitech.com](mailto:sales_eu@xavitech.com)

## **XAVITECH MICROPUMPS AB**

Industrigatan 17  
871 53 Härnösand  
SWEDEN

## **XAVITECH USA**

Phone: 424-625-5161  
Hours: 6am to 4pm EST  
[sales\\_usa@xavitech.com](mailto:sales_usa@xavitech.com)

This information is accurate and reliable. However, specifications mentioned in this publication are subject to change without notice. This publication supersedes and replaces all information previously supplied. Xavitech products are not authorized for use as critical components in life support devices or systems without express written approval of Xavitech.

© 2022 Xavitech - All Rights Reserved